

One of the most important Italian manufacturer of temperature probes for the industrial and commercial refrigeration, air conditioning and heating markets.

**PTC, NTC, THERMO-RESISTANCES and THERMOCOUPLES** are the main probe types available with various suggested configurations or required by the customer, intended for plastics, food and automotive industry and for all the applications in which thermoregulation is needed.

The main goal of the company is the customer satisfaction, by integrating the production with design/configuration and customization services.



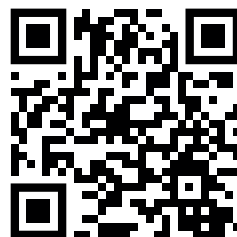
The use of solutions, products and processes, reinforced by professional competence and the implementation of the KaizenLean principles, ensure the highest quality standard.

Sacet, presents both on the Italian and foreign market, is able to reply to the customers inquiries with a technical and commercial concrete support.

Via Del Candel 55/D, 32100, Belluno, Italy  
Tel. +39 0437 33166  
Web site: [www.sacet-probes.com](http://www.sacet-probes.com)  
E-mail: [info@sacet-probes.com](mailto:info@sacet-probes.com)

## SACET SRL

SINCE 1985



Via Del Candel 55/D, 32100, Belluno, Italy  
Tel. +39 0437 33166  
Web site: [www.sacet-probes.com](http://www.sacet-probes.com)  
E-mail: [info@sacet-probes.com](mailto:info@sacet-probes.com)



## SONDE PER FORNI

### OVEN PROBES

Via Del Candel 55/D, 32100, Belluno, Italy  
Tel. +39 0437 33166  
Web site: [www.sacet-probes.com](http://www.sacet-probes.com)  
E-mail: [info@sacet-probes.com](mailto:info@sacet-probes.com)

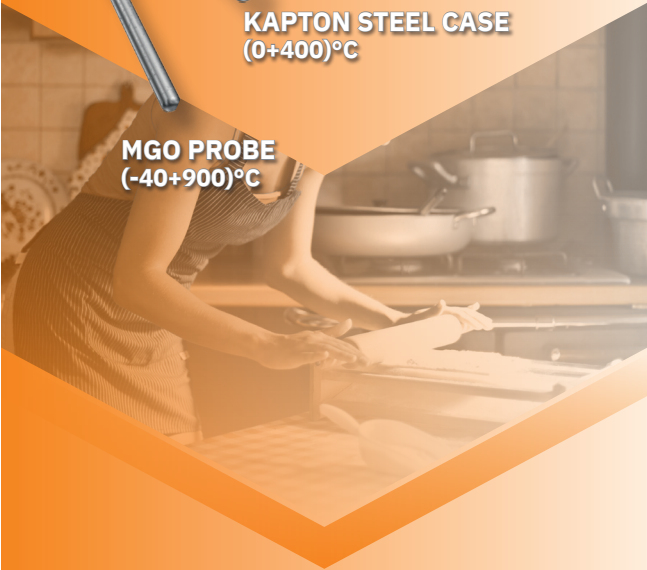
**WITH FLANGE**  
(0+350)°C

**TEFLON STEEL CASE**  
(-50+250)°C

**TEFLON EYELET CASE**  
(-50+250)°C

**KAPTON STEEL CASE**  
(0+400)°C

**MGO PROBE**  
(-40+900)°C



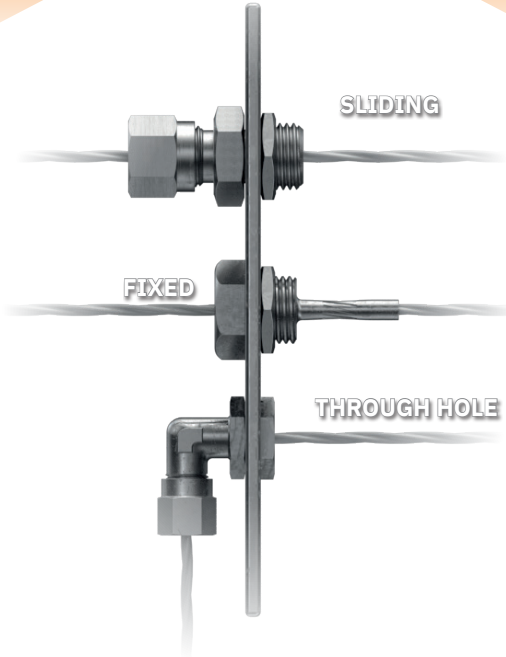
**PANEL CONNECTORS WITH CAP**



**NEUTRIK & XLR CONNECTORS**



**BULKHEAD**



**LCP CORE PROBE SH**  
(-50+250)°C

**TEFLON CORE PROBE SF**  
(-50+250)°C



**TEFLON CORE PROBE ST**  
(-50+250)°C

**STEEL CORE PROBE SP**  
(0+400)°C

